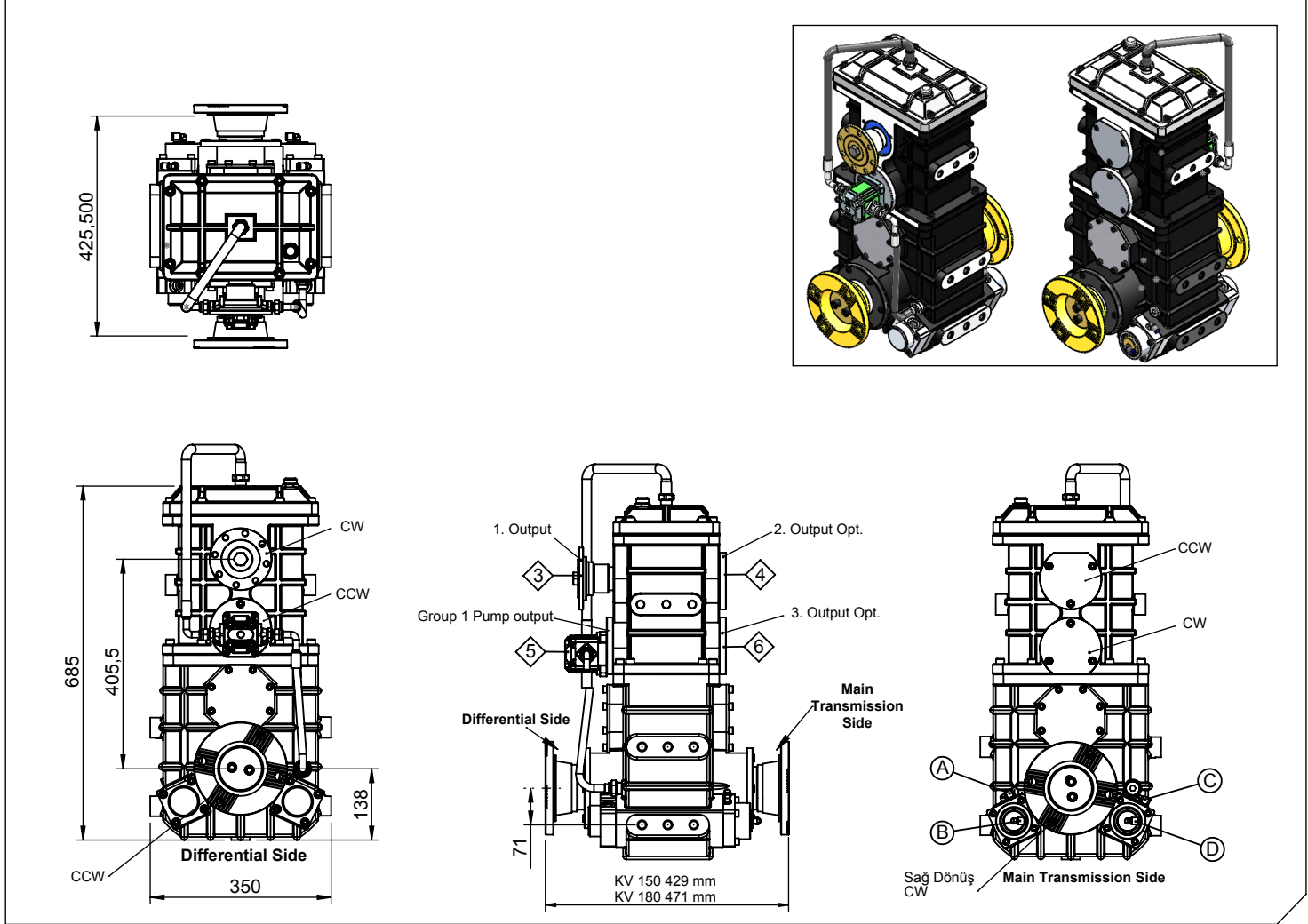


<b>Vehicle Type</b>	For Fire Fighting, Road Maintenance Vehicles
<b>Gearbox Type</b>	4 Stage Vertical Heavy Duty Split Shaft with Pump&Roll Feature PTO

<b>Product Code</b>	<b>UARA.2006</b>
<b>Revision No- Date</b>	02 / 16.06.2017

## Products View



## Component Details

- A : ISO 7647 - ISO 7646 - ISO 8667 Standard Flange
- B : ISO 7647 - ISO 7646 - ISO 8667 Standard Flange
- C : Air Inlet (Engage)
- D : Air Inlet (Disengage)
- E : Lubricating pump (Std.)
- F : Second Output (Optional)

## Technical Details

Outputs	Max. Power	Max. Torque		Internal Ratio	Mounting Side	Control Type
	kW	Nm	kgm			
1		20600	2100	1/1	Split Shaft	Pneumatic
2	185 kW			1/1.1 1/1.7 1/1.97	Weight	Sense of Rotation
3						

Product Code

**UARA.2006**

Revision No- Date

02 / 16.06.2017

## BRACKET DIMENSIONS

